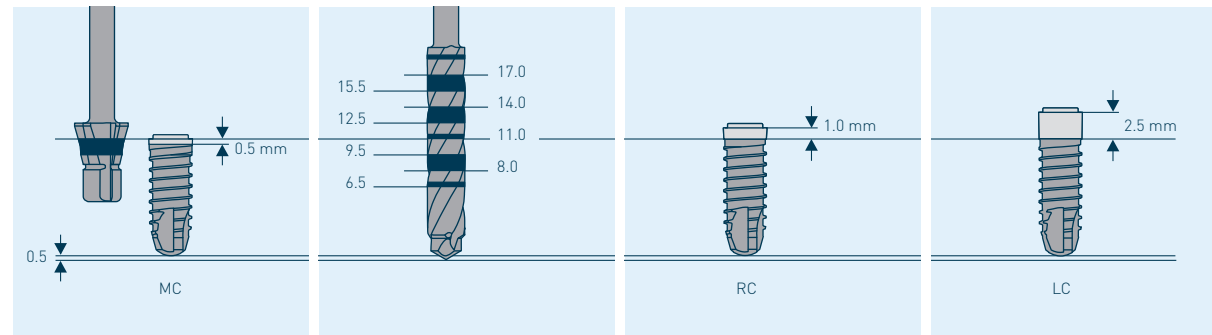


ÜBERSICHT BOHRPROTOKOLL ELEMENT

PF 3.0 enossal Ø 2.5	PF Ø 3.5 enossal Ø 3.5	PF Ø 4.0 enossal Ø 4.0	PF Ø 4.5 enossal Ø 4.2	PF Ø 5.0 enossal Ø 5.0	PF Ø 6.0 enossal Ø 6.0	Drehzahl U/min
2.0 Pilotbohrer	2.0 Pilotbohrer	2.0 Pilotbohrer	2.0 Pilotbohrer	2.0 Pilotbohrer	2.0 Pilotbohrer	800
<p>Längenspezifische Profilbohrer</p>	2.8 VECTOdrill	2.8 VECTOdrill	2.8 VECTOdrill	2.8 VECTOdrill	2.8 VECTOdrill	600
		3.5 VECTOdrill	3.5 VECTOdrill	3.5 VECTOdrill	3.5 VECTOdrill	500
					4.3 VECTOdrill	4.3 VECTOdrill
5.3 VECTOdrill	5.3 VECTOdrill				300	
	3.5/3.5 ELEMENT Profilbohrer*	4.0/4.0 ELEMENT Profilbohrer*	4.2/4.5 ELEMENT Profilbohrer*	5.0/5.0 ELEMENT Profilbohrer*	6.0/6.0 ELEMENT Profilbohrer*	250-300



* nur bei ELEMENT MC