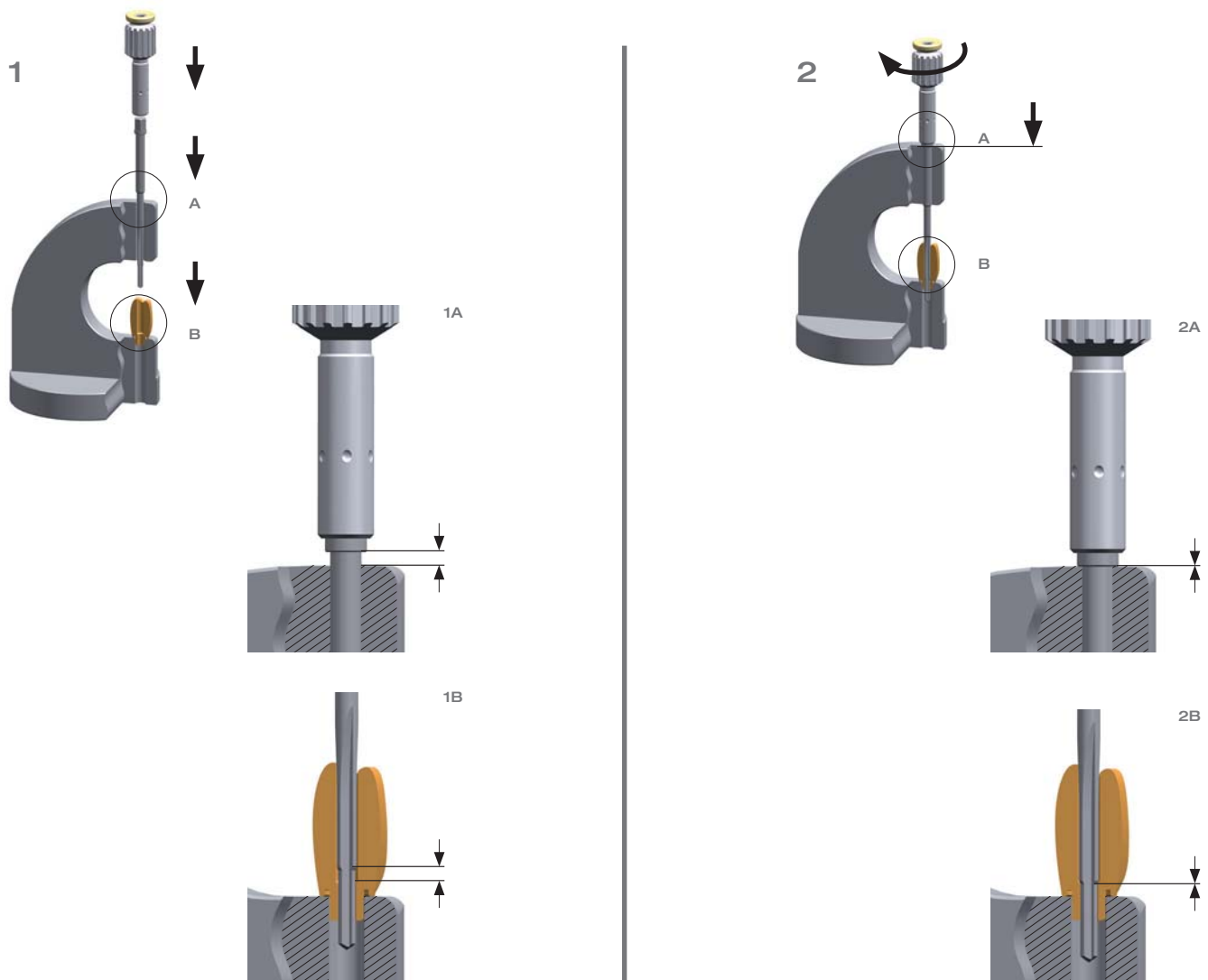
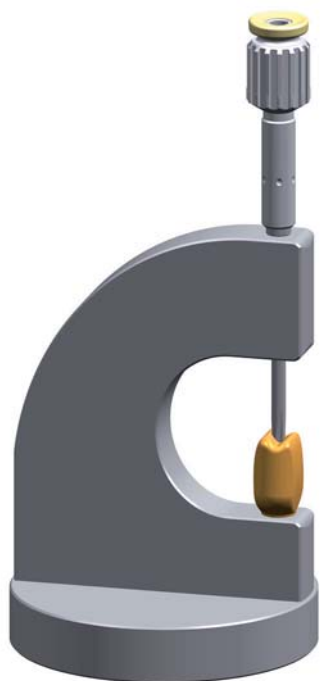


Quick Guide

- EN Reamer for Screw Channel
- DE Finierer für Schraubenkanal
- FR Alésoir pour canal de vis
- IT Alesatore per canale di vite
- ES Escariador para canal de tornillo



Quick Guide



Set content

- 1 × Gauge for reamer for screw channel (Art. No. 3.03.430)
- 1 × MONO insertion instrument, long (Art. No. 3.03.163)
- and Reamer for screw channel (various)



Art. No.
3.03.435

Reamer for screw channel for VARIO PF Ø 3.5 mm, L 44 mm



3.03.436

Reamer for screw channel for VARIO PF Ø 4.0–6.0 mm, L 44 mm



3.03.437

Reamer for screw channel for VARIOmulti, L 40 mm