

Thommen Medical Restorative Solutions

A Quick Guide





The Restorative Difference

At Thommen Medical, we understand that each dental professional is unique, and so are the needs of the individual patient. That is why our comprehensive restorative portfolio is designed to address a wide spectrum of cases, from the straightforward to the most complex.

Experience the power of versatility, the assurance of quality, and the promise of patient-centered care with Thommen Medical. Your quest for the ultimate restorative solutions begins and ends here.

Select the components for your next case online. Scan the QR code or download the Thommen Medical Configurator app from the App Store or Google Play.



Safe

Proven reliability and precision

- ✓ **Decades of clinical success:** rely on the EVERGUARD® connection with a track record of almost four decades of clinical experience
- ✓ **Swiss precision:** achieve accurate impressions and stable restorations with products of Swiss craftsmanship
- ✓ **Science-driven solutions:** benefit from product development grounded in scientific knowledge for enduring restorative success



Easy

A simple and economical system tailored to your requirements

- ✓ **One connection design and screwdriver geometry:** minimize confusion and simplify processes with a uniform connection and screwdriver design
- ✓ **Two abutment screws:** enhance efficiency with just two abutment screw sizes, reducing complexity
- ✓ **Time and cost savings:** save time and boost your practice's revenue potential thanks to the streamlined system design



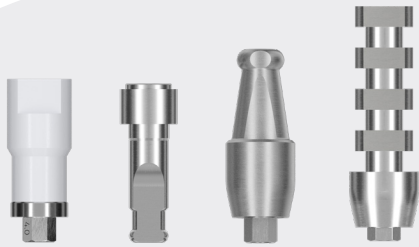
Esthetic

Elevated esthetics for satisfied patients

- ✓ **Small abutment screw channel:** enhance the beauty of screw-retained restorations with the market's smallest abutment screw channel
- ✓ **Design freedom:** enjoy prosthetic design flexibility, thanks to innovative engineering
- ✓ **Strength:** benefit from high restoration strength due to increased space for material

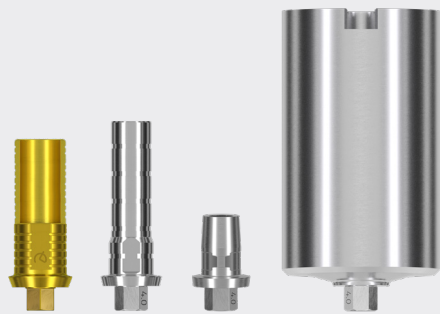
Quick reference

Restorative Selection Guide



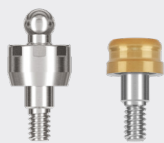
Impression Copings and Analogs

For highest precision and accuracy during the transfer of the implant and abutment position



Crowns and Bridges

A wide variety of abutments provide restorative flexibility



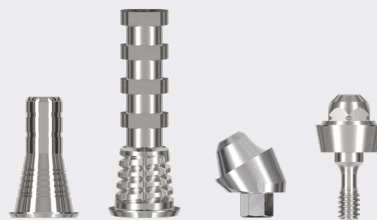
Removable Full Arch Solutions

Flexible options for a removable prosthesis



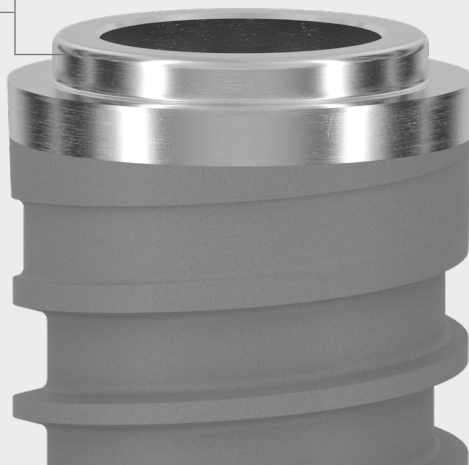
Soft Tissue Management

Prefabricated and customizable options for a wide range of clinical situations

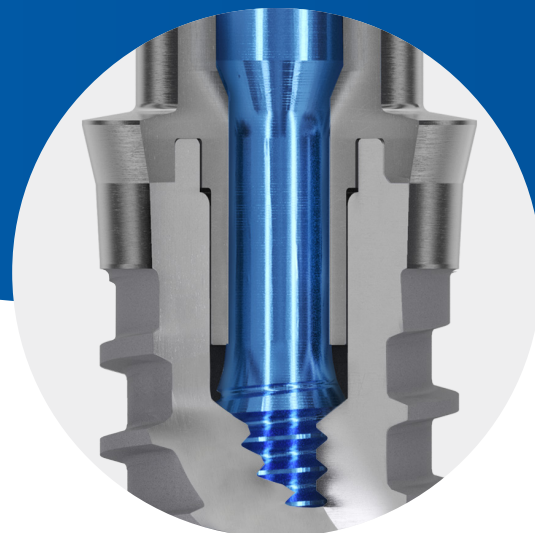


Fixed Full Arch Solutions

Lasting stable solutions for edentulous patients



One Proven Connection Design



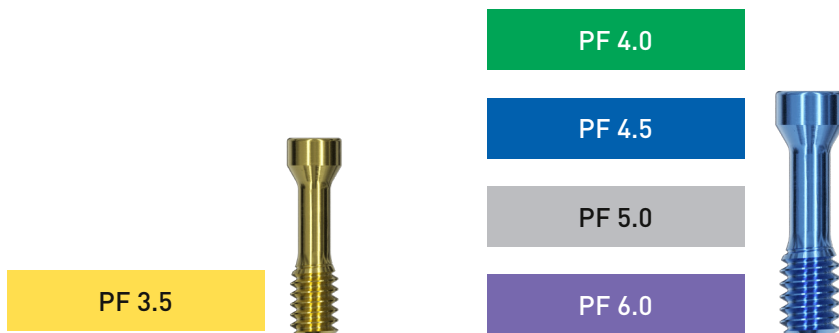
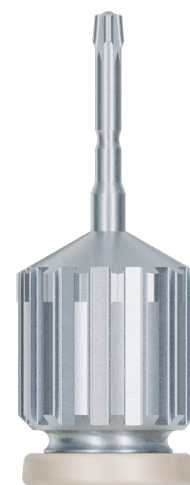
All Thommen Medical implants feature the proven EVERGUARD® implant-abutment connection design. This ensures that **all restorative solutions fit all implant lines.**

The EVERGUARD® connection is manufactured with the highest precision and enables an **extremely accurate transfer of the implant position to the master cast.** For single-tooth restorations, the **internal hex** of the connection provides precise rotational retention and stability.

A special design feature of the EVERGUARD® connection is the **stabilization ring on the implant platform.** It centers the abutment on the implant and effectively absorbs most of the lateral masticatory forces.

Thommen Medical implants are designed to withstand high occlusal masticatory forces. The clever design of the **abutment screw** allows for stronger implant and abutment walls that **protect the implant from mechanical overload.** A predetermined breaking point on the screw prevents implant fracture in case of high force application.

The abutment screw is particularly small and therefore **optimized for highly esthetic outcomes.** Two screw sizes are available to match different platform sizes. The entire Thommen Medical system only features **one screwdriver geometry.** Restorative solutions must be selected to match the platform diameter of the implant.



Healing caps and gingiva formers

For flexible soft tissue management during early healing

Healing caps and gingiva formers play a crucial role in the restorative procedure. Placed on implants, **healing caps aid soft tissue healing** before final restoration, while **gingiva formers can help to shape the soft tissue around the implants**. Throughout healing, both must remain free from stress loading and occlusion.



Healing cap

Included in the packaging with every implant



Healing cap smooth edge (SE)

Soft rounded edges to enable a better adaption of the mucosal flap, particularly for thin gingiva biotypes



Gingiva former

Allows the shaping of the peri-implant soft tissue for all platforms. Available in different heights (2.0/3.2/4.5/5.7/7.0 mm)



Gingiva former narrow

For a two-stage procedure in combination with the gingiva former for all platforms. Available in different heights (2.0/3.2/4.5/5.7/7.0 mm)



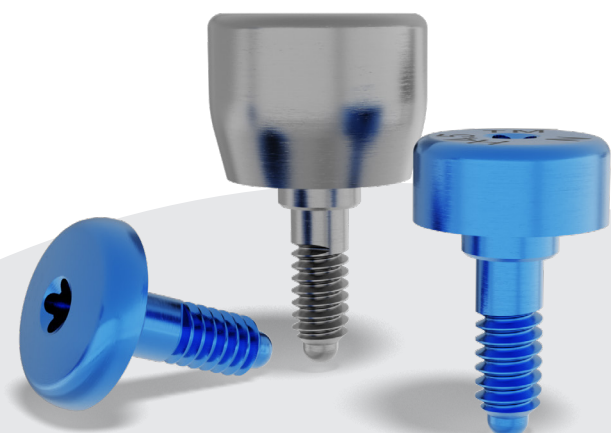
Gingiva former+

Only available for PF 3.5. With its larger diameter suited for the edentulous and partially edentulous jaw. Available in two heights (2.0/3.2 mm)



Gingiva former, customizable

See page 12 for more information



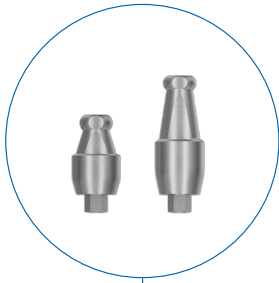
Impression copings

For a precise impression of the implant position

The implant impression coping is **used to replicate the size and position of the implant in the working model**. It can be recorded by means of a conventional impression or digital scan and may take place at implant or abutment level. Accuracy of the transferred information is **critical for the production of a precise model for prosthesis fabrication**.

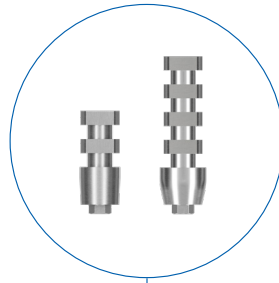
Implant level

Closed tray



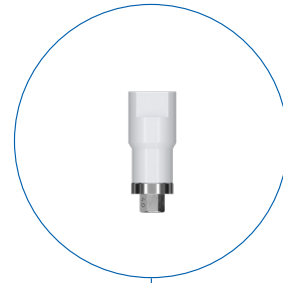
Single use aluminium or reusable titanium
Available in two heights (8/12 mm)

Open tray



Cylindrical or conical collar
Available as 10 mm single use aluminium or 16 mm reusable titanium

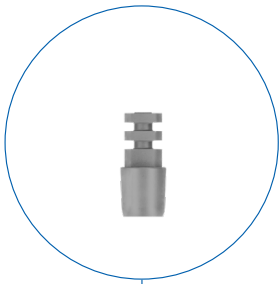
Scan abutment



For intraoral- and laboratory scanners
One-piece, coated, stainless steel

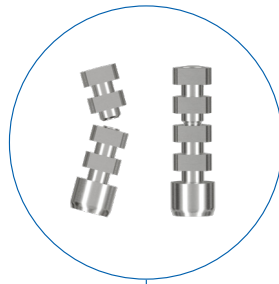
Abutment level

EASY abutment system



Snap-on
To produce conventional stone models when using the EASY abutment system

VARIOmultiples conventional



Reusable impression copings made of titanium with built-in breaking point
To produce conventional stone models for multi-unit restorations

VARIOmultiples digital



For intraoral- and laboratory scanners
Titanium scan abutment with integrated screw

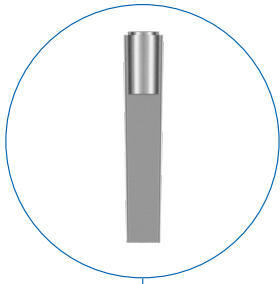
Analogs

For an efficient replication of the implant position in the working model

Analogs are used when manufacturing the working cast. Available in implant and abutment level versions, they **reliably enable the transfer the position of the implant or abutment position to the working model.**

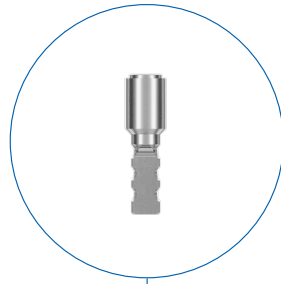
Implant level

Removable



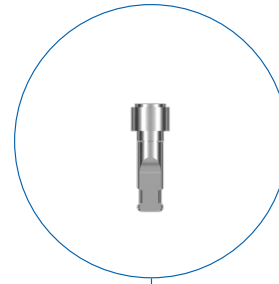
Titanium analog that can be removed and replaced after a conventional stone model is processed

Fixed



Titanium analog that is fixed after a conventional stone model is processed

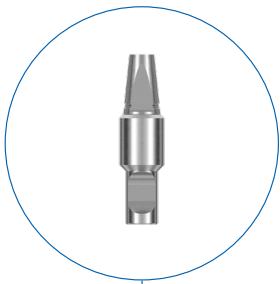
Digital



A dual use titanium analog for printed or conventional stone models

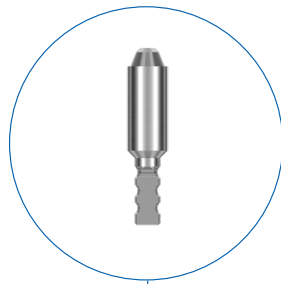
Abutment level

EASY abutment system



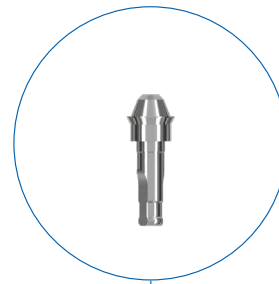
For the production of conventional stone models when using the EASY abutment system

VARIOmulti conventional

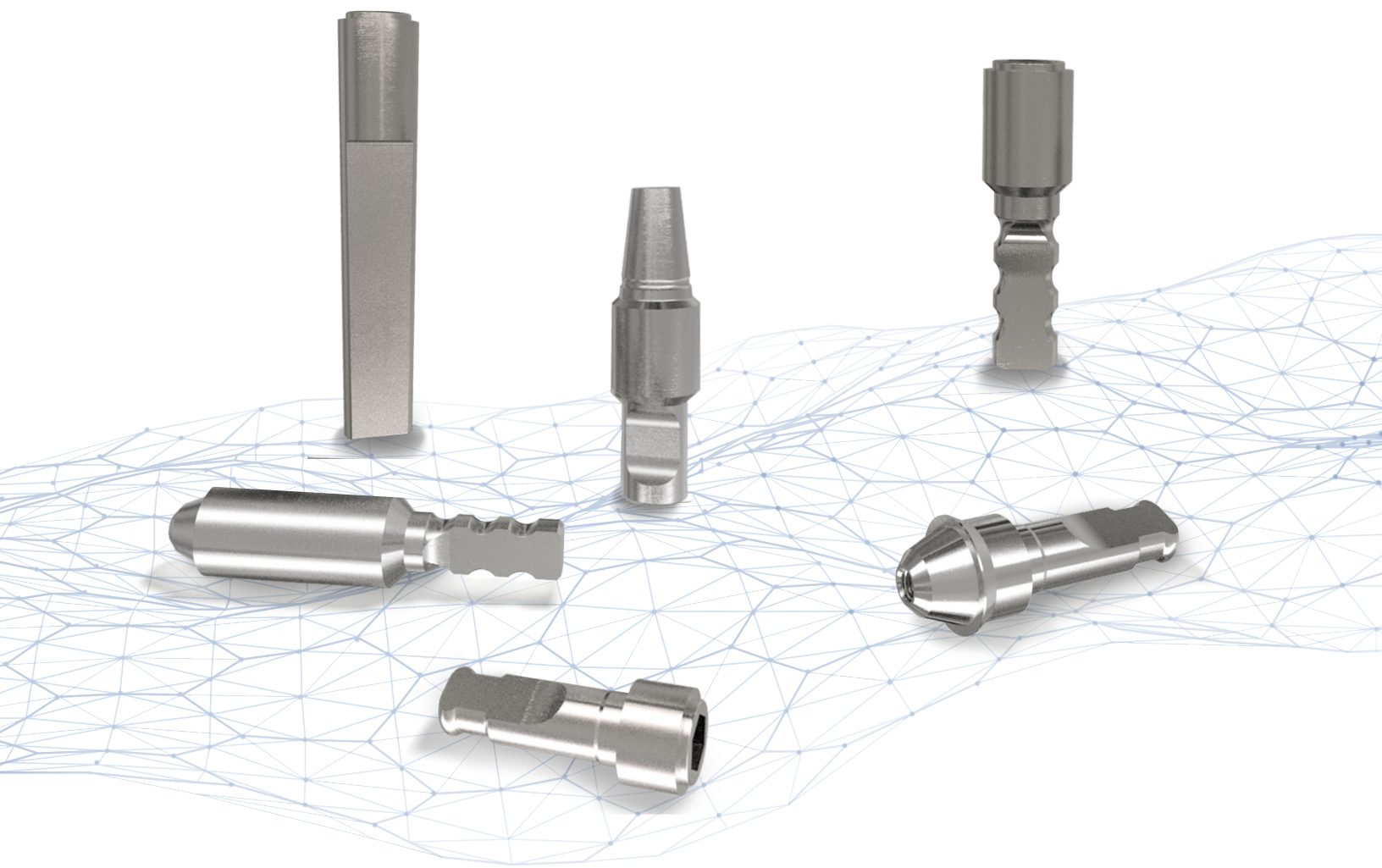


To produce conventional stone models for multi-unit restorations

VARIOmulti digital



To produce printed models for multi-unit restorations



Abutment selection



Quick reference manual

The Thommen Medical implant system **offers prosthetic solutions for a wide range of clinical indications.** This quick reference manual represents the most popular options for daily use.

For additional components, please refer to the Configurator app (see page 2), the product catalogue, or contact your local Thommen Medical advisor.

You can find our CAD/CAM libraries for 3shape, DWOS, and Exocad Dental CAD to download here: <https://www.thommenmedical.com/us-en/about-us/download-center?category=25>



Abutment system	Material	Period	
		 Temporary	 Definitive
Gingiva Former, customizable*	Ti/PMMA	•	
VARIOtemp	Ti/stainless steel	•	
VARIOflex	Ti/Ti-alloy/POM		•
Titanium Base for CAD/CAM	Ti/Ti-alloy		•
Dynamic Titanium Base	Ti-alloy		•
VARIOmulti**	Ti/Ti-alloy	•	•
Milling abutment for CAD/CAM Type II	Ti/Ti-alloy		•
EASY	Ti	•	•
ART	Zr/Ti-alloy	•	•
ZEST LOCATOR®**	Ti-alloy		•
RETAIN retentive anchor**	Ti		•

*Not suitable for bridge restorations

**Not suitable for single tooth restorations

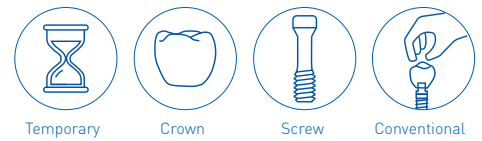


Guide to Materials

Ti – Titanium
 Zr – Zirconium
 POM – Polyoxymethylene
 PMMA – Polymethyl Methacrylate

Fixation			Workflow		Page
Screw-retained	Cemented	Removable	Conventional	Digital	
•			•		12
•			•	•	12
•	•		•	•	13
•	•		•	•	13
•				•	14
•			•	•	15
	•	•		•	16
	•		•		16
	•		•		17
		•	•		17
		•	•		18

Gingiva former, customizable



Facts

- Abutment body made out of polymethyl methacrylate (PMMA), connection made out of titanium
- For tissue conditioning and temporization
- Modifiable: to use as a customized gingiva former after reduction or as provisional using add-on materials (e.g. acrylic)



Advantages

- ✓ Achievement of a natural and esthetic gingival contour
- ✓ Material suited for fast chairside adjustments

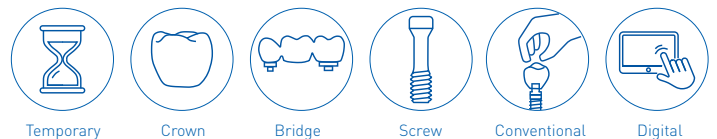


Additional options

- VARIOtemp



VARIOtemp



Facts

- For temporary restorations
- For the digital workflow – CAD/CAM libraries are available for the most common softwares
- Shortenable height
- Macro retentions indicate different predefined abutment-heights (H=4/6/8/10/12 mm)
- Includes a dedicated fabrication screw



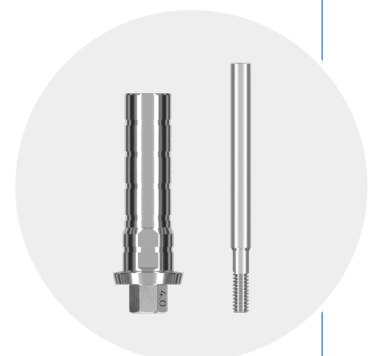
Advantages

- ✓ Extended height (H=12 mm) and easy shortening allow an adaptation to various clinical situations
- ✓ Flexible choice of material
- ✓ Easy duplication of the established emergence profile and contour to the final restoration with VARIOflex in the digital workflow

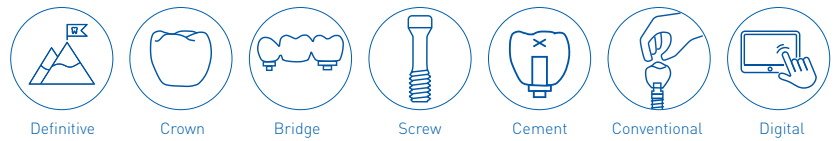


Additional options

- Gingivaformer, customizable



VARIOflex



Facts

- For final restorations
- For the digital workflow – CAD/CAM libraries are available for the most common softwares
- Shortenable height
- Macro retentions indicate different predefined abutment-heights (H=4/6/8/10/12 mm)
- Includes a burn-out cap for the conventional workflow



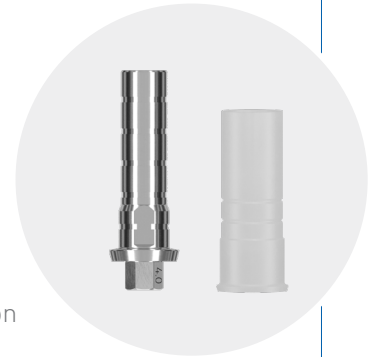
Advantages

- ✓ Establishment of a consistent emergence profile and tissue management
- ✓ Extended height (H=12 mm) and easy shortening allow an adaptation to various clinical situations
- ✓ Flexible choice of restoration material

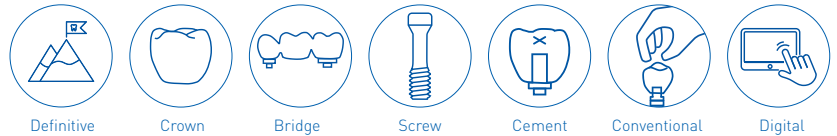


Additional options

- Titanium base for CAD/CAM (if there is no need for height adaptation)
- Dynamic titanium base (if an angulated screw channel is required)



Titanium base for CAD/CAM



Facts

- Optimized for the digital workflow – CAD/CAM libraries are available for the most common softwares
- Fixed height (H=5.2 mm) especially suited for restorations in the posterior area
- Burn-out cap VARIOeco available for a conventional workflow



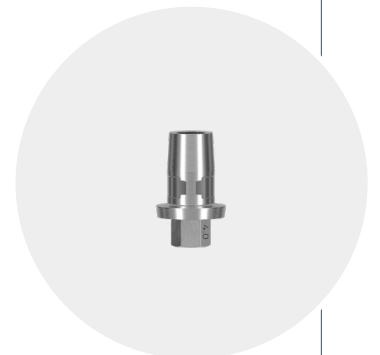
Advantages

- ✓ Achievement of an anatomical crown contour with CAD/CAM fabrication techniques
- ✓ Individualized emergence profile with an anatomical shape
- ✓ Fixed height suitable for most clinical situations

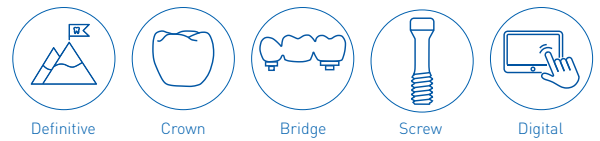


Additional options

- VARIOflex
- Dynamic Titanium Base



Dynamic Titanium Base



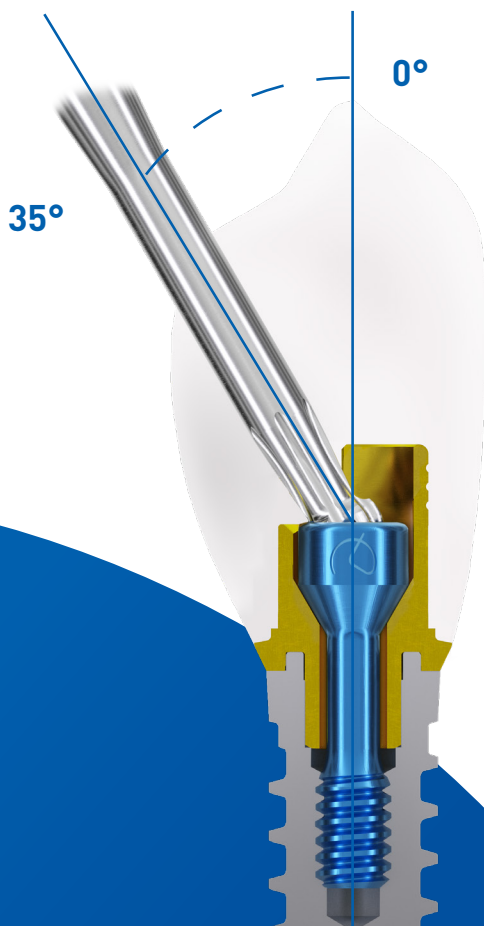
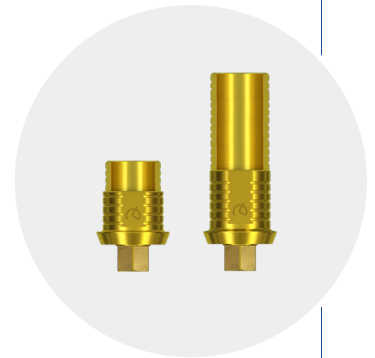
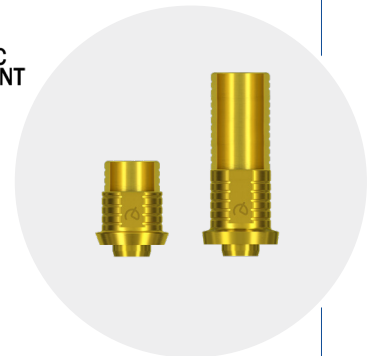
Facts

- Supports the digital fabrication of an angulated screw channel
- Angled screw channel up to 35°
- Dedicated screw and screwdriver
- Captive screw channel option enables a smaller screw channel with greater flexibility and strength of the suprastructure
- CAD/CAM libraries are available for the most common softwares

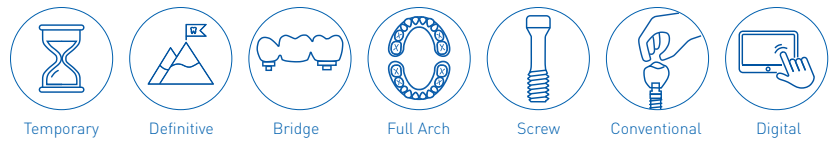


Advantages

- ✓ Provides the option of screw-retained restorations in clinical situations where usually only cement-retained is possible
- ✓ Especially advantageous with restorations in the anterior region



VARIOMulti



Facts

- For multi-unit screw-retained prostheses with three implants or more
- Converts an implant level restorative platform into an abutment level prosthesis
- Can compensate for axis divergences of up to 40°
- Available for all implant diameters, it converts the connection to a consistent 4.8 mm prosthetic platform
- The availability of 17° and 30° angulated abutments provide and a foundation for the immediate load restorative concept with diagonally placed implants
- Comes with a complete range of tertiary components for a digital and a conventional workflow



Advantages

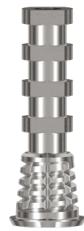
- ✓ Idealized suprastructure according to implant depth and tissue thickness thanks to multiple collar heights
- ✓ Angled abutments and conical geometry for a tension-free and accurately fitting prosthetic insertion
- ✓ High prosthesis quality thanks to matched original components



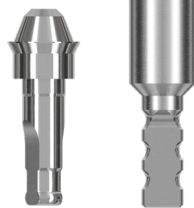
VARIOMulti components



Titanium bases



Temporary cap



Analogs



Protective cap

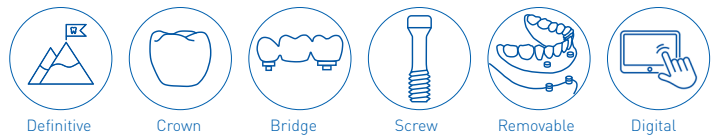


Impression coping



Scan bodies

Milling abutment CAD/CAM Type II



Facts

- Creates the opportunity for dental laboratories to manufacture customized abutments in-house
- Compatible with the Medentika PreFace® abutment holder
- CAD/CAM libraries are available for the most common softwares



Advantages

- ✓ Fast in-house manufacturing: simultaneous processing of 6 blanks
- ✓ High quality for customized abutments is maintained by using the original EVERGUARD® connection
- ✓ Fits within Thommen Medical's validated digital workflow

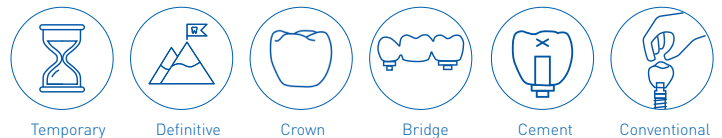


Additional options

- Customized milling solutions at approved Thommen Medical milling centers



EASY



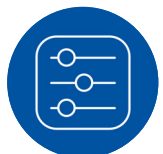
Facts

- Available separately or as a convenient inclusive restorative set
- Comes with a complete range of tertiary components (impression copings, temporary caps, burn-out cap) for a conventional workflow
- Also available as emergence profile (e.p.) – extended platform design
- Available in multiple margin and cone heights



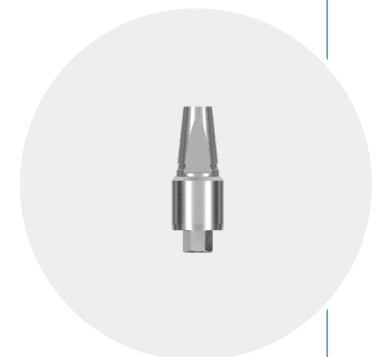
Advantages

- ✓ One of the most cost-effective options for prosthetic restorations
- ✓ Allows fast impression taking and temporization
- ✓ A simple solution that can be used in various clinical situations
- ✓ High clinical visibility for restorative work at abutment level

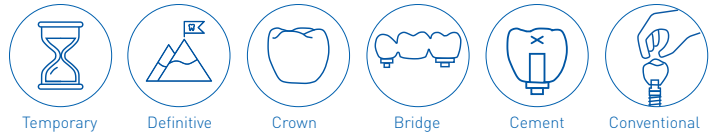


Additional options

- Titanium Base for CAD/CAM
- VARIOflex



ART



Facts

- Manufactured from high-performance ceramic zirconium oxide
- Also available as grinding cylinder abutment



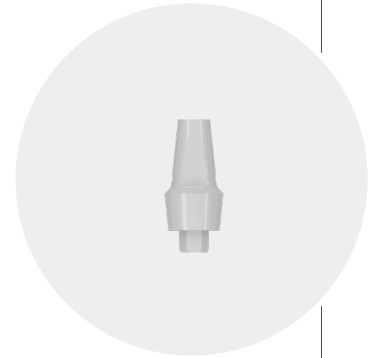
Advantages

- ✓ High esthetics with no metal connection interface
- ✓ Reduced possibility of tissue shadowing in very thin gingiva
- ✓ Customizable emergence profile by veneering

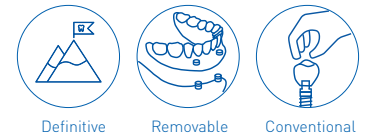


Additional options

- Titanium Base for CAD/CAM
- VARIOflex



ZEST LOCATOR®



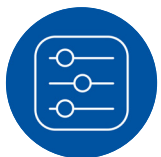
Facts

- A resilient bar attachment system for implant retained overdentures
- Combination of in- and outside retention
- Replacement males can be used to restore an implant with up to 10° of divergence (20° between implants)
- Extended range replacement elements can accommodate a divergent implant between 10° and 20° (40° between two implants)



Advantages

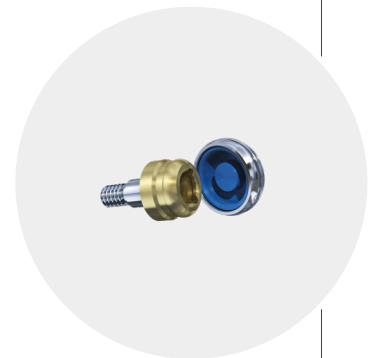
- ✓ Easy seating of the overdenture for the patient without the need for accurate alignment of the attachment components
- ✓ Strong retention with dual retention system
- ✓ Simple maintenance and low prosthetic costs



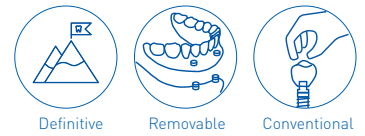
Additional options

- RETAIN retentive anchor (for replacement of restoration with existing ball type attachments)

LOCATOR®



RETAIN retentive anchor



Facts

- A resilient attachment system with a retentive anchor for implant-retained overdentures
- The universal ball geometry (2.25 mm) offers compatibility with most retentive matrices and materials (e.g. Dalla Bona®, Tima®, Suprasnap®, or Ecco®)
- Various materials can be used for the retentive elements (gold, titanium, or plastic)
- Available in two collar heights (1.8/3.0 mm) for PF 4.0, 4.5, and 5.0



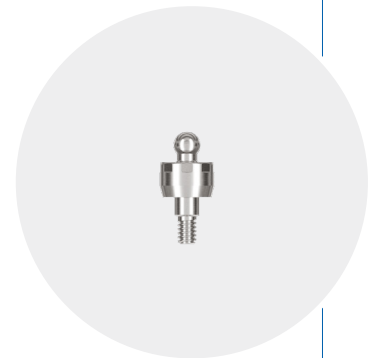
Advantages

- ✓ Flexibility for retentive matrices
- ✓ Simple clinical and laboratory procedures
- ✓ Lower prosthetic costs compared to bar restorations
- ✓ High patient acceptance thanks to selectable materials



Additional options

- ZEST LOCATOR®







Thommen Medical USA L.L.C.

USA/CANADA
Thommen Medical USA L.L.C.
1375 Euclid Avenue | Suite 450
Cleveland OH 44115 | USA
Phone +1 866 319 9800 (toll free)
Fax +1 216 583 9801
info@thommenmedical.us
orders@thommenmedical.us
info@thommenmedical.com

Driven by science, not trends.